



Warsaw

CONTROL UNIT

MDD-256/T

series W3

PURPOSE

Microprocessor-controlled module MDD-256/T was built to oversee Digital Gas Detection System. It is designed to work with gas detectors DG/M, DD, DG.EN/M type or with control modules MDD type equipped with RS-485 port (MODBUS protocol) produced by GAZEX. MDD-256/T periodically checks detector's signal in slave net connected to PORT1 (DET.NET).

In case of crossing over the preset gas concentration level:

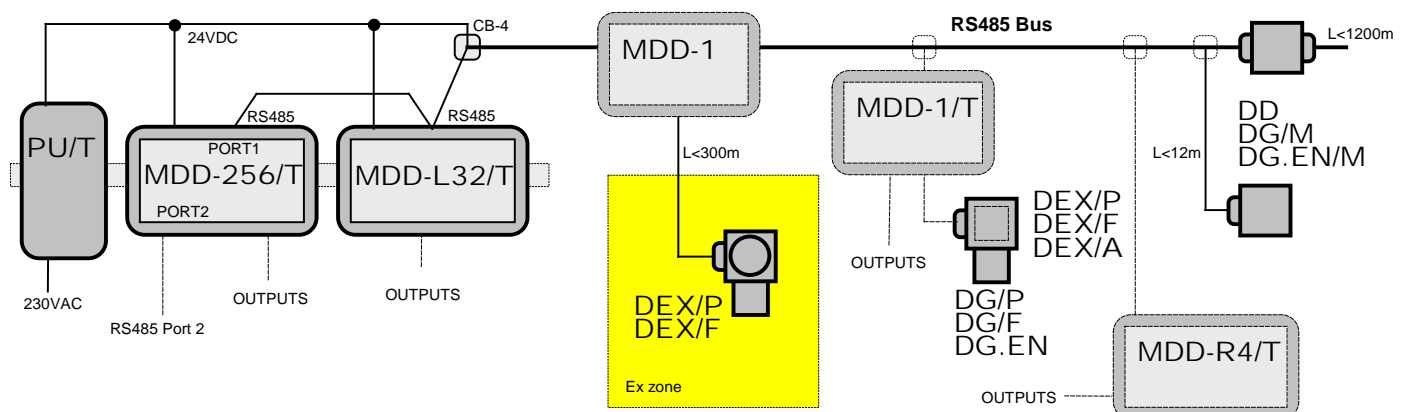
- the acoustic and the optical signalization turns on,
- the relay outputs become activated ,
- the signaling devices connected to DET.NET are activated (eg. MDD-L.32/T)
- the alarm information will be sent by external net (OUT.NET) in RS-485 standard (MODBUS RTU protocol) on request.



FEATURES

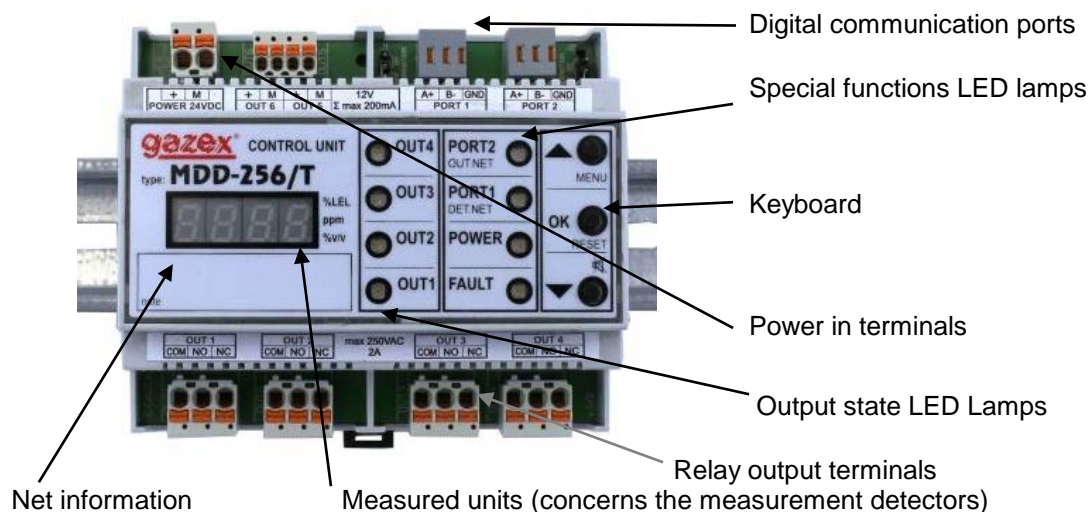
- controls max 224 detectors and max 21 control units (in max 7 zones)
- communications with detectors in RS-485 standard (MODBUS RTU) galvanically separated
- the second RS-485 channel allows to communicate with other, external control systems
- remote control, diagnostics and the gas detector in net identification
- the each gas detector's connection with control
- the each gas detector's state can be read from LED display
- the galvanically separated relay outputs (OUT1, OUT2, OUT3, OUT4) for the external signaling devices or steering
- the relay output OUT4 signals system's FAULT state by default
- the steering outputs state optical (LED) and acoustic signalization (silent mode available);
- the outputs delay adjustable
- two 12VDC alarm outputs for the external signaling devices (by default - A1, A2; configurable as OUT5, OUT6)
- not complicated system in the standard configuration is simple to initiate
- prepared for mounting in standard cabinets (TS35 rail)
- 24V DC supply (with LED signalization)
- equipped with the face mounted keyboard for maintenance (configurable from PC -optional software available from producer)

CONNECTION BLOCK DIAGRAM



UNIT DESCRIPTION

MDD-256/T front panel (mounting position)



TECHNICAL SPECIFICATIONS

Model	MDD-256/T
Power supply	24VDC (15,0 ÷ 30V)
Current consumption	max 0.2A (except alarm outputs current = max 0.3A)
Operating temperature	-10°C to +40°C recommended,, -20°C to +45°C temporary permissible (<2h/24h)
Communication	PORT1 (DET.NET)- standard, RS-485, MODBUS RTU protocol, practically up to 224 detectors + 21 steering units; PORT2 (OUT.NET)- standard, RS-485 , MODBUS RTU protocol; RS-485 setup - 9600bps,11bit, pair, 1bit stop
Built in signalization	4-digit LED display + 8 LED lamps + buzzer
Fault signalization	yellow LED lamp; message on the display
Acoustic signalization	warning - ALARM 1 (A1) - 1Hz intermittent tone warning - ALARM 2 (A2) - 5Hz intermittent tone warning - ALARM 3 (A3) - 10Hz intermittent tone warning - FAULT - continuous tone silent mode available - key on the front panel
Reset	key on the front panel
Alarm active outputs	12VDC, not stabilized, total charge $\Sigma(A1,A2) = \text{max } 0,2A$ (for external signaling devices SL-21, SL-32, S-3x, LD-2)
Alarm contact outputs	OUT1, OUT2, OUT3, OUT4 – relay, type NO/NC (max resistive type load < 4A , induct. <0.6A) 250VAC or 30VDC
Output turn off	in standard configuration: automatically - 3 ÷ 900 sec. after alarm source disappearance optionally : manually - by operator
Power signalization	green LED lamp
Dimensions, weight	106 x 90 x 65 mm, W x H x D, (wide - 6 mod.); approx. 0,2kg
Housing	Polystyrene [PS], IP20; for mounting in cabinet on rail 35mm
Guarantee	12 months Standard Gazex Guarantee (SGG); possibility to extend to 36 months – after product registration procedure (RGG3Y)

PRODUCER: **GAZEX**
Baletowa 16, PL 02-867 Warsaw, POLAND
Tel: +48 22 644 2511 Fax: +48 22 641 2311
gazex@gazex.pl www.gazex.com

©gazex '2017. All rights reserved. The gazex logo, gazex, dex are registered trademarks of GAZEX.

LIFE IS SAFE WITH US !

©gazex