



Warsaw

# GENERAL SPECIFICATION WARNING BOARD illuminated

# TP-43 /H...

from 2011 series

## PURPOSE

Illuminated warning board type TP-43 is designed to present visualization of the alarm mode signaled by outputs of WG steering detectors (underground garages) or MD type steering modules (toxic gas detection systems) manufactured by GAZEX.

Warning boards come with default warnings or signs customized to Client's requirements. Warnings are illuminated in active mode only.

Devices come with standard casing, what means that they cannot be used in premises identified as zones exposed to explosion.

## FEATURES

- signs illegible when not illuminated, displayed when power is on
- light source: fluorescent lamps 230VAC, 18W x 2
- high resistance and reliability
- low energy consumption
- simple installation on walls (may be mounted on arms)
- replacment for TP-44/H...



SCREEN IN NON-ACTIVE MODE

### STANDARD SIGNS (polish):

- H1- „NIE WCHODZIĆ  
NADMIAR SPALIN”
- H2- „OPUŚCIĆ GARAŻ  
NADMIAR SPALIN”
- H3- „NIE WJEŹDŹAĆ  
NADMIAR SPALIN”
- H4- „WYCIEK AUTOGAZU  
ZACHOWAĆ OSTROŻNOŚĆ”

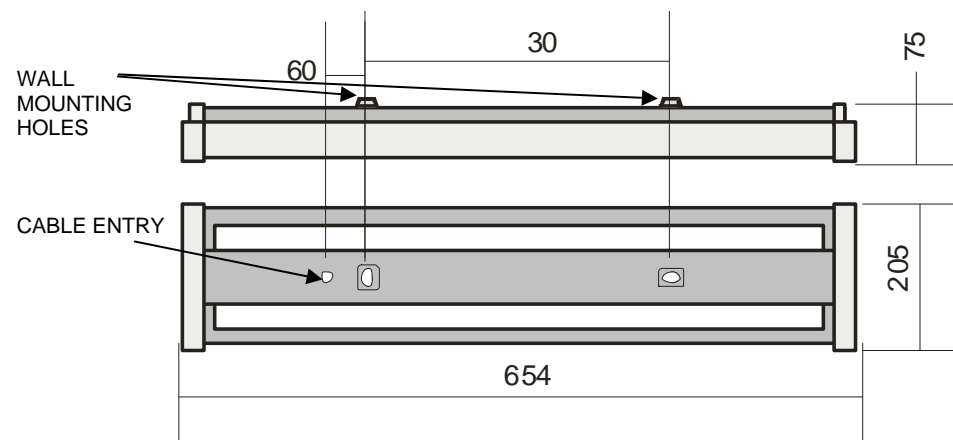
Other signs – on request (designation ../H0)

## LIFE IS SAFE WITH US!

©gazex

©gazex '2011. All rights reserved. The gazex logo, gazex, dex are registered trademarks of GAZEX.

## ASSEMBLY POSITION



## TECHNICAL SPECIFICATION

Model	TP-43
Power supply	230VAC, 50Hz (admissible fluctuation: ±10% )
Power consumption	43W (active mode only)
Working temperature	recomended: +5°C ÷ +25°C; periodically allowed (<8/24h): -25°C ÷ +40°C; enclosure assembly: >+5°C
Light source	fluroscent, 2 x 18W, G13
Signs	black letters on yellow background
Dimensions /mass	654 x 205 x 75 mm (W x H x D) / 1.7kg
Casing /safety level	polystyrene + steel / IP20
Guarantee	12 months Standard Gazex Guarantee (SGG); Possibility to extend to 36 months – after product registration procedure (RGG3Y)

PRODUCER:

**gazex**

**GAZEX**

Baletowa 16, PL 02-867 Warsaw, POLAND

Tel: +48 22 644 2511 Fax: +48 22 641 2311

gazex@gazex.pl www.gazex.com